



ISOLITE ROOF ISOLITE WALL

Translucent elements in
Alveolar Polycarbonate

ISOLITE ROOF

Description

ISOLITE ROOF are multi-walled alveolar sheets designed for the use in covering systems together with the ribbed sandwich panels and Isopan's corrugated sheets, where it is necessary to create single or multiple light spots. They are particularly suitable for the industrial restructures, for the realisation of coverings with application in the ridge/eave and for the realisation of skylights.

Mechanical features

The ISOLITE ROOF sheets are offered in an optimum and practical structural format, specifically designed to match the profiles of the panels Isopan produces for ribbed roofs. The way the section is designed allows the achievement of high carrying capacities. The functional qualities of the system can also be integrated by adding the available complementary accessories.

Optical features

The refined selection of raw materials and the production process with controlled and qualified quality make it possible to ensure optimal brightness performances over time.

Thermic and acoustic insulation

Thanks to the multi-wall structure, ISOLITE ROOF obtains high thermic and acoustic insulation values, and therefore helps optimize the energy-saving system of the building in which it is used.

Behaviour to environmental conditions

The ISOLITE ROOF sheets are protected against degrading action of the UV rays. The protection is ensured by the application in co-extrusion of a special treatment which will give the optical, mechanical and performances over time. The heat-sealing of the alveolar system, by means of a thermo-welding process at the extremities of the sheets performed with high standard technologies, reduces the formation of condensation and impurities inside the cavities.

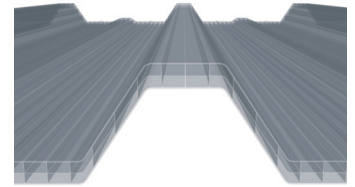
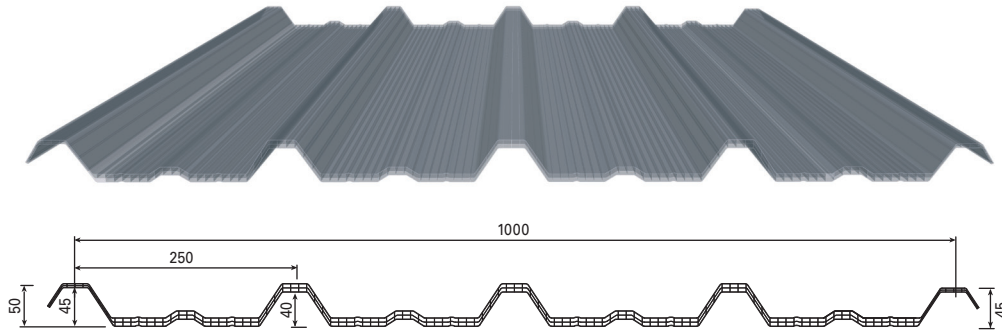
Availability

ISOLITE ROOF is available in versions 40/10, 40/25, 80/10, and is producible in plan version or curved version (ray 3,5m o 6m). Other versions are producible on application.

Features	U.m.	40/10	40/25	80/10
Thickness	mm	10	25	10
Structure	type	3 walls (2 cavities)	6 walls (5 cavities)	3 walls (2 cavities)
Width	mm	1000	1000	1000
Length of the sheet	mm	custom	custom	custom
Pace of the rib	mm	250	250	250
Hight under-rib		40	40	80
Colour	-	Neutral, opalized	Neutral, opalized	Neutral, opalized
Thermic transmittance (U)	W/m ² K	2,8	1,4	2,7
Temperature of employment	°C	-40 / +130	-30 / +120	-40 / +130
Thermic expansion	mm/m°C	0,065	0,065	0,065
Crystal Light transmission (LT) translucent	%	72	-	66
Opal Light transmission (LT) translucent	%	60	-	49
U.V. Protection	Yes/No	Yes	Yes	Yes

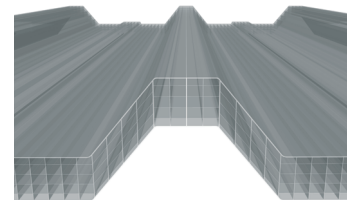
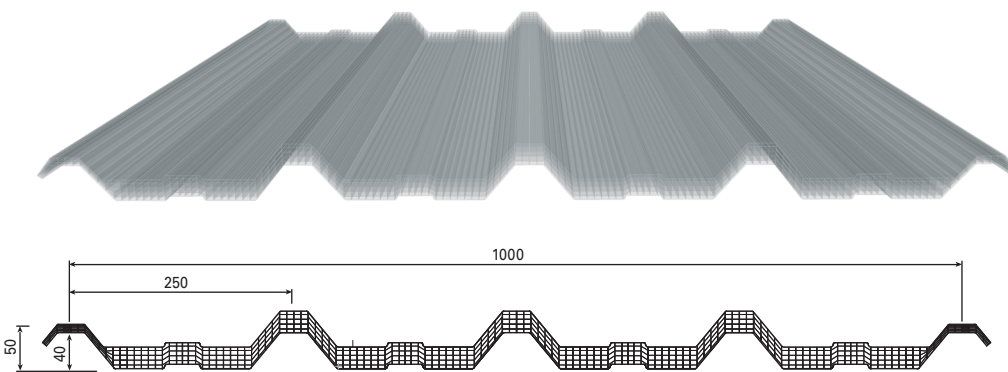
ISOLITE ROOF

Version 40/10



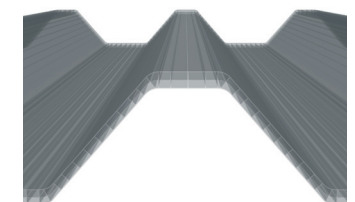
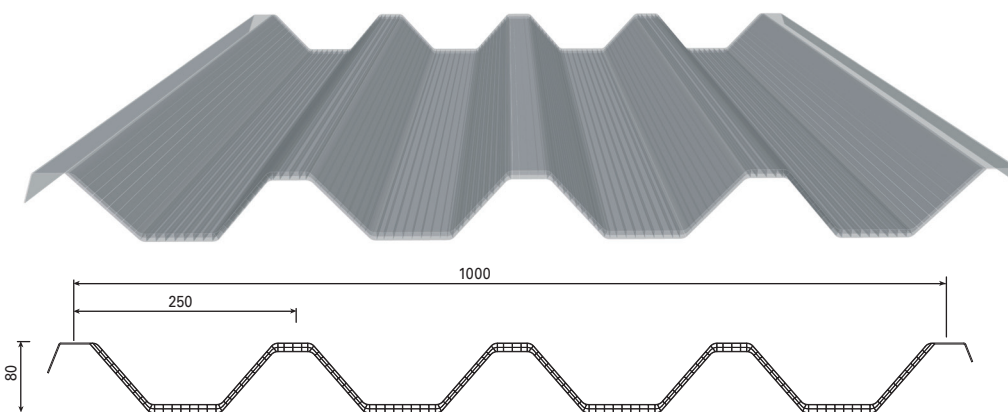
Structure:
3 walls (2 cavities)

Version 40/25



Structure:
6 walls (5 cavities)

Version 80/10



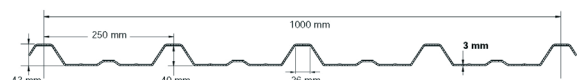
Structure:
3 walls (2 cavities)

Other versions

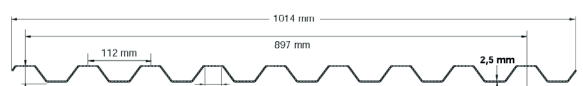
Disponibilità

Su richiesta è possibile la fornitura di altre versioni di prodotti da copertura. Per i seguenti prodotti non è garantita la disponibilità immediata a magazzino:

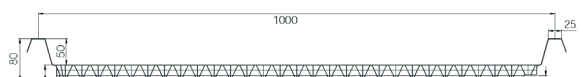
Version 40/3



Version 28/2,5

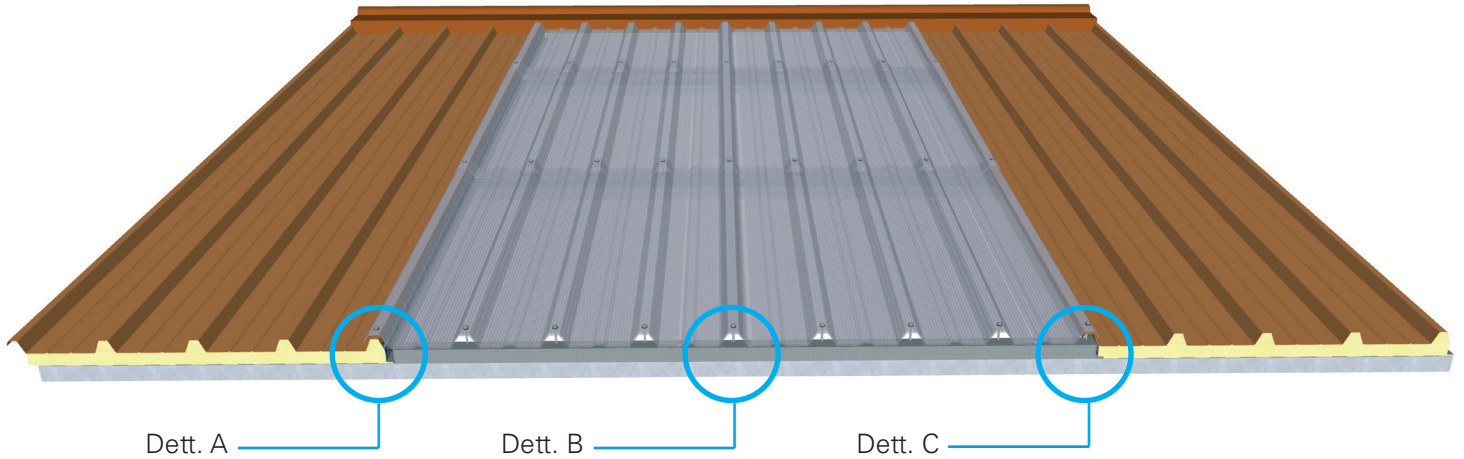


Version Piana/30 e Piana/40

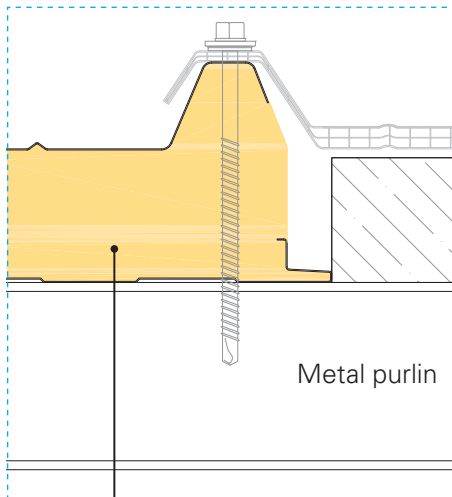


APPLICATIONS

Application scheme



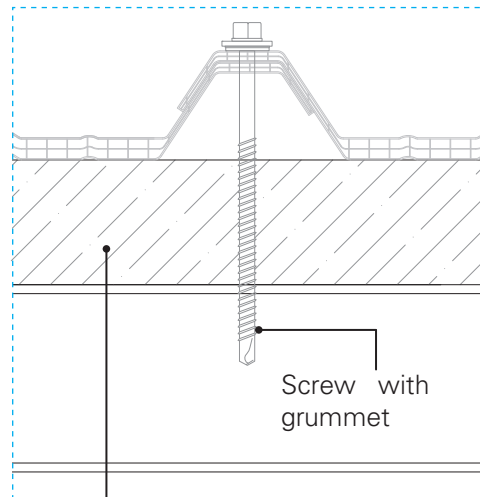
Detail A



Roof Panel ISOPAN

Metal purlin

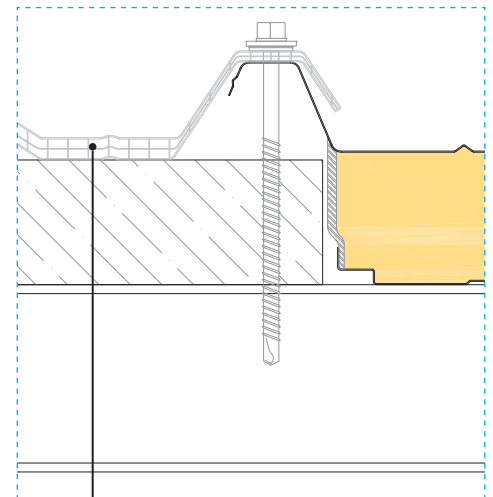
Detail B



Supporting spacer (not provided)

Screw with grummet

Detail C



ISOLITE ROOF

Accessories

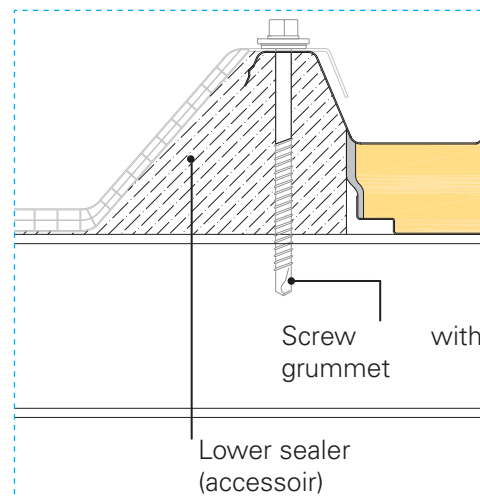


Upper sealer under ridge



Lower sealer

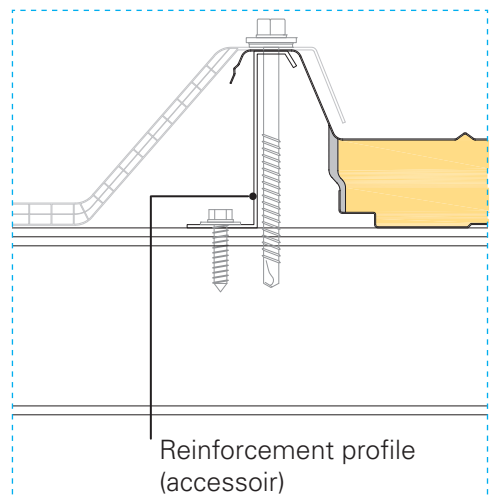
Application with lower sealer



Lower sealer (accessoir)

Screw grummet with

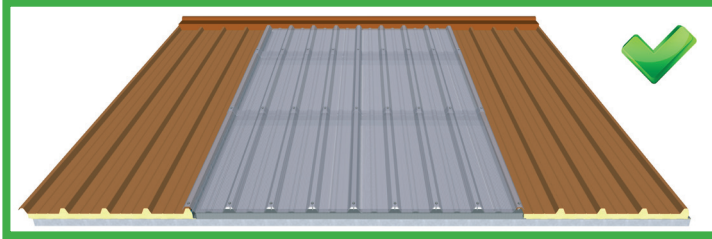
Detail C (alternative)



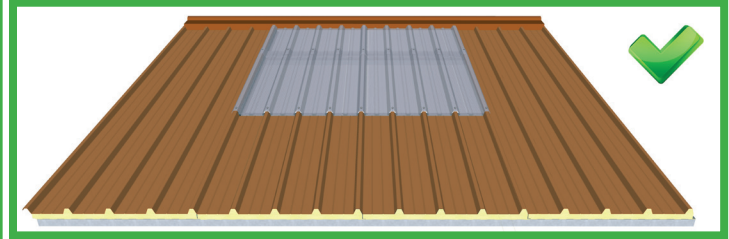
Reinforcement profile (accessoir)

APPLICATIONS

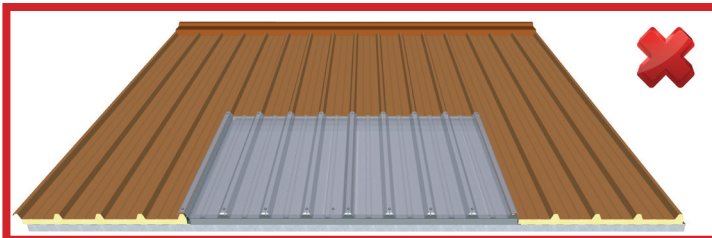
Use



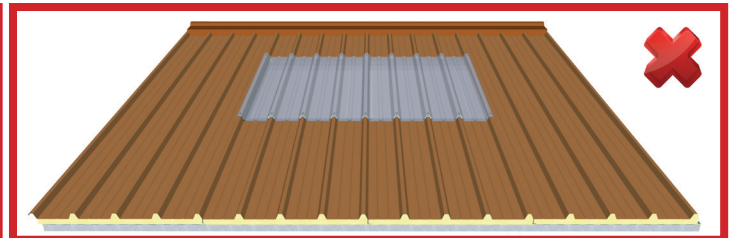
Examples of correct use



Examples of correct use



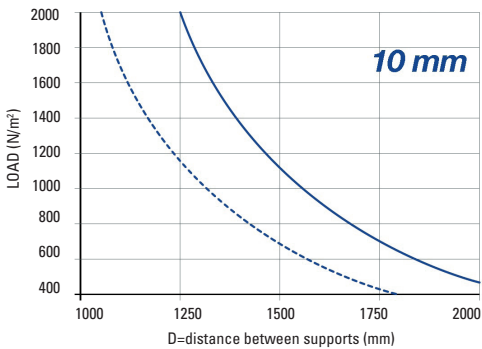
Examples of non applicable employments



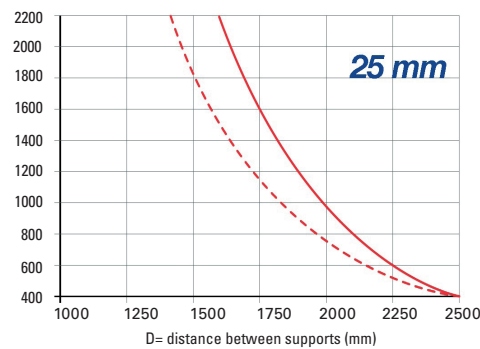
Examples of non applicable employments

Tabella di carico

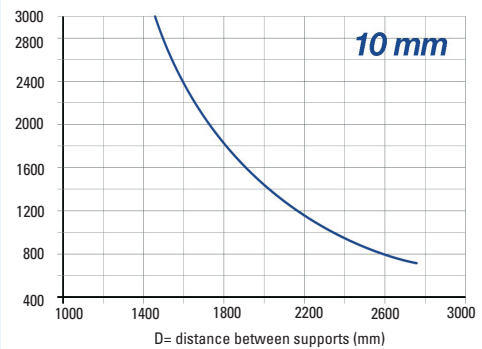
VERSION 40/10 - plan, 3 or plus supports



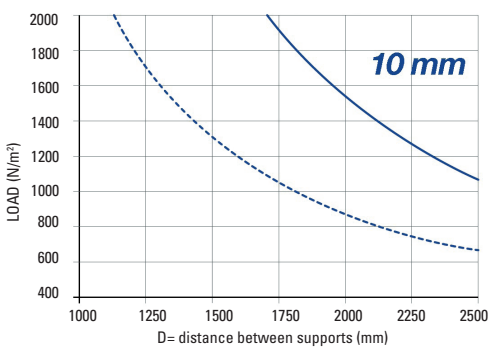
VERSION 40/25 - plan, 3 or plus supports



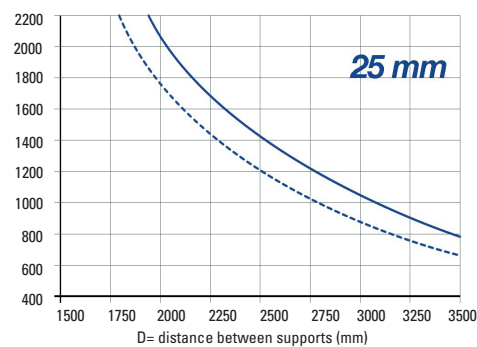
VERSION 80/10 - plan, 3 or plus supports



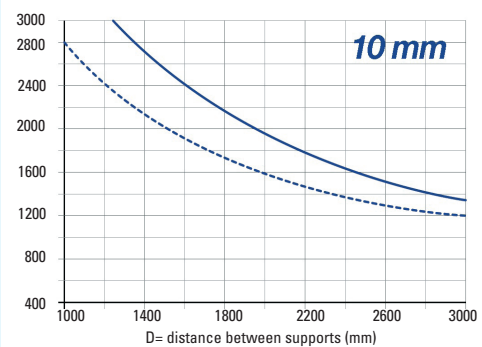
VERSION 40/10 - curve, 2 supports - R=3,5m



VERSIONE 40/25 - curve, 2 supports - R=3,5m



VERSIONE 80/10 - curve, 2 supports - R=3,5m



— Deflection Limit D/50 - Single Application
 - - - Deflection Limit D/50 - Continuous Application

— Max Curvature 50mm
 - - - Deflection Limit D/50 between supports

ISOLITE WALL

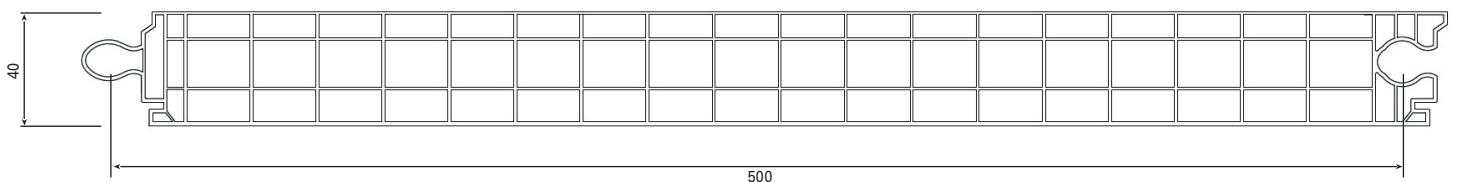
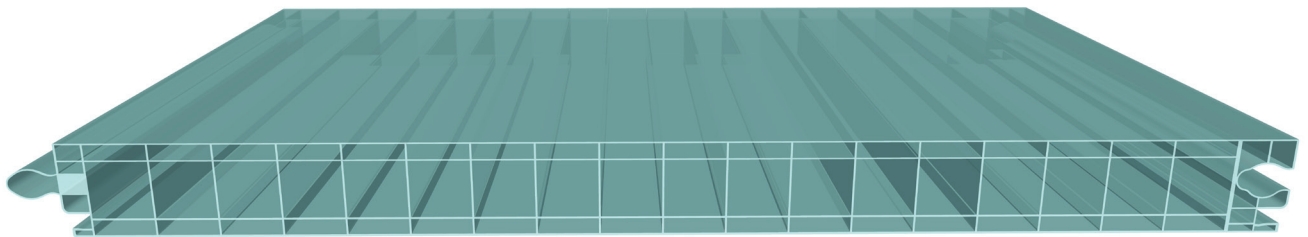
Descrizione

ISOLITE WALL is a system used in the application of vertical tamponages where the realisation of translucent walls is requested. The system is made of extruded panels in alveolar polycarbonate with a 4 walled structure. It has a 40 mm thickness that ensures affordability, structural performances and flexibility of use, allowing the realisation of wide translucent surfaces.

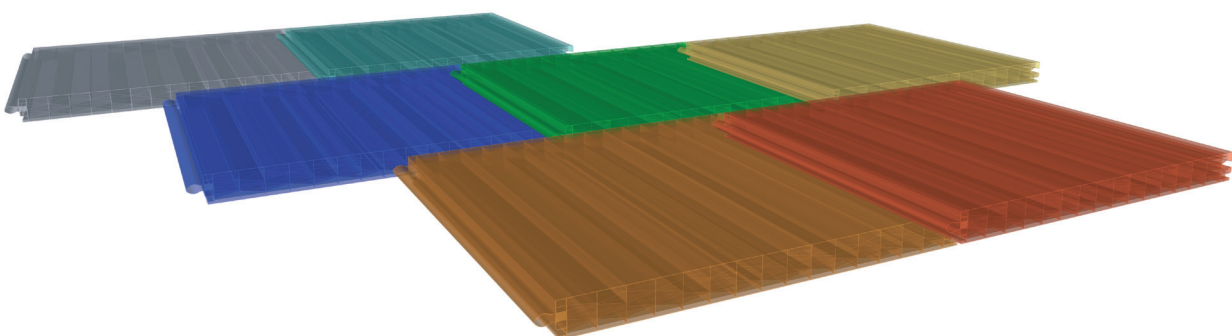
The joint of the panels is characterized by the male and female profile of each sheet, while the fixing is made of perimetric profiles made of anodised aluminum.

Features	U.m.	40/4
Walls	n°	4 (3 cavities)
Thickness	mm	40
Width	mm	528
Width module	mm	500
Length of the sheet	mm	custom
Thermic transmittance (U)	W/m ² K	1,5
Temperature of employment	°C	-40 / +130
Thermic expansion	mm/m°C	0,065
Crystal Light transmission (LT) translucent	%	74
Opal Light transmission (LT) translucent	%	51
U.V. Protection	Yes/No	Yes
Tape	Yes/No	Yes

Version 40/4

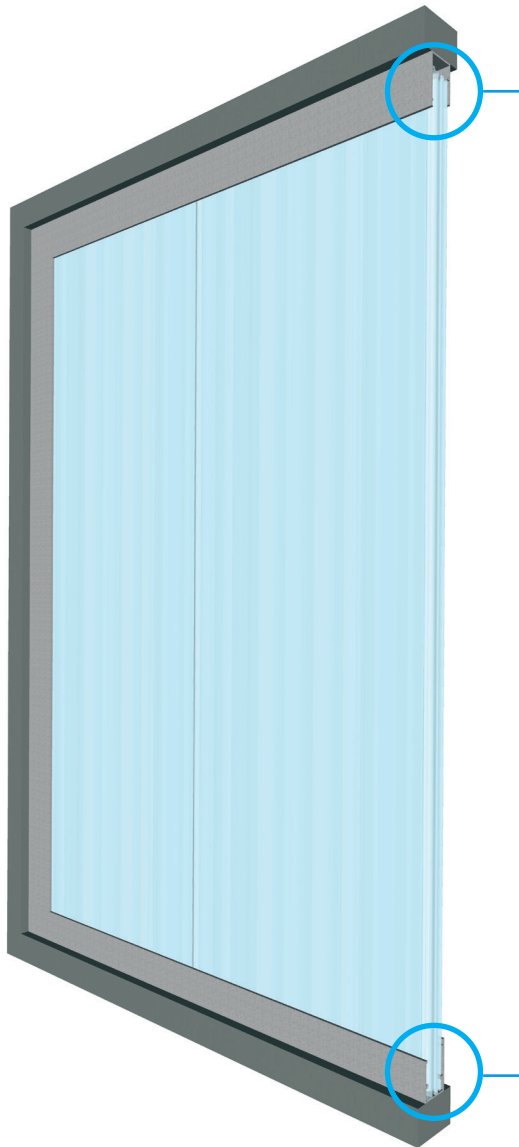


ISOLITE WALL can be supplied in a wide range of colours, to adapt to any aesthetic and design choice, and to create an elegant and remarkable aesthetic effect.

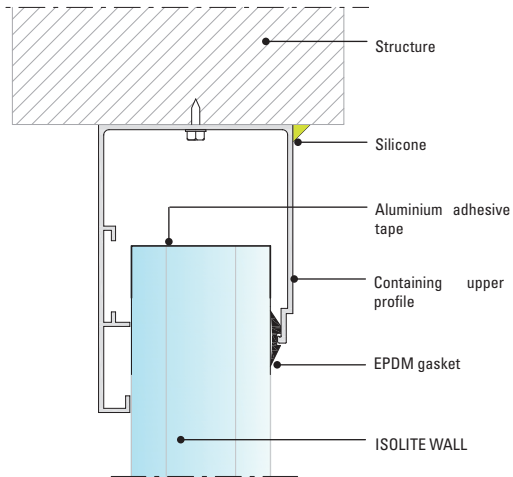


ISOLITE WALL

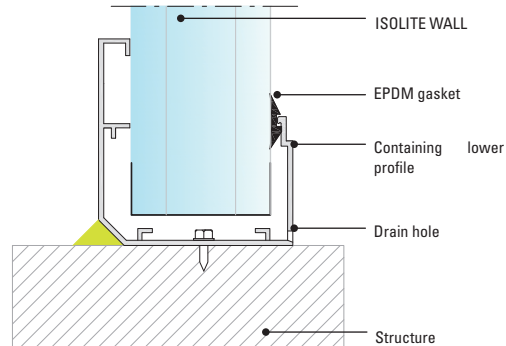
Applicazione



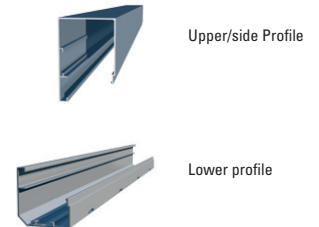
Detail A



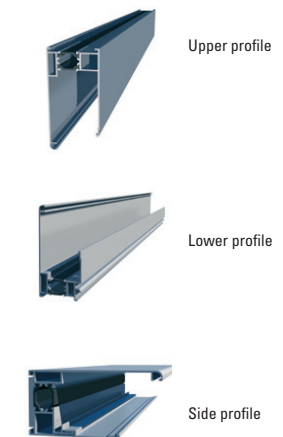
Detail B



Containing Profiles



Containing Profiles with thermal interruption element

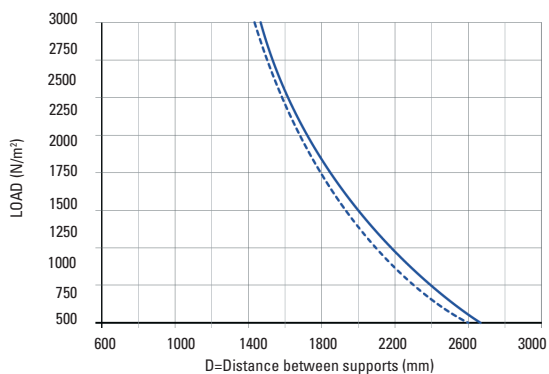


Accessories

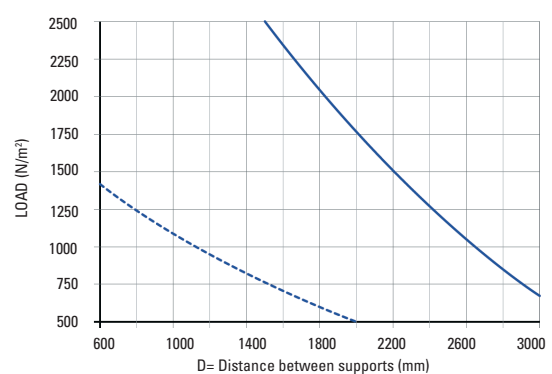


Load values

VERSION 40/4 - 2 supports



VERSION 40/4 - 3 or plus supports



— Pression
- - - Depression

— Pression
- - - Depression

**ISOPAN S.p.A.****Patrica Centre:**

S.P. Morolense - I - 03010 PATRICA (FR) - Tel. 0039 07752081

Trevenzuolo Centre:

Via Giona, 5 - I - 37060 TREVENZUOLO (VR) - Tel. 0039 0457359111

isopan@gruppomanni.it

www.isopan.it

ISOPAN IBÉRICA SL

Polígono Industrial de Constantí - Avda. de les Puntetes, parcela 23

E - 43120 Constantí (TARRAGONA) - Tel. 0034 977524546

isopaniberica@gruppomanni.it

www.isopaniberica.es

ISOPAN EST

Sos. de Centura 109 - Bucarest - RO - 077160 - jud. ILFOV

Tel. 0040 21 3051600

isopanest@gruppomanni.it

www.isopanest.ro

ISOPAN DEUTSCHLAND GmbH

Kreisstraße 48

D - 06193 Wettin-Löbejün - OT Plötz - Tel 0049 346033220

www.isopan.de

Export commercial**ISOPAN FRANCE****Commercial office:**

Avenue du Golf - Parc Innolin - Bat. C2 - 33700 Mérignac - Bordeaux

Tel. 0033 5 56021352 - Fax 0033 5 56978786

isopan@gruppomanni.it

www.isopan.com

ISOPAN POLSKA**Commercial office:**

Ul. Rakowiecka 34 lok. 5 - 02-532 Warszawa

Tel. 0048 22 203 53 95 - Fax 0048 22 213 92 53

isopan@isopan.pl

www.isopan.pl



Isopan: Marked CE sandwich panels

Certificate
EN ISO 9001
TUV Italia S.r.l.Certificata
EN ISO 9001
TUV Rheinland
DIN EN ISO 9001:2008
Certificado N° ID: 9105022506

SR EN ISO 9001



Via A. Righi, 7 - I - 37135 VERONA

Tel. 0039 0458088911

gruppomanni@gruppomanni.it

<http://prodottieservizi.gruppomanni.it>www.gruppomanni.it

Technical data and properties are not binding. Isopan reserves the right to make changes without notice, the most current documentation is available on our web site www.isopan.it

This document and each element contained in it are exclusive property of Isopan Spa.

It is strictly forbidden to reproduce, even partially, the texts or images contained in this document, without the written authorisation of the author.

Copyright © - ISOPAN S.p.A.